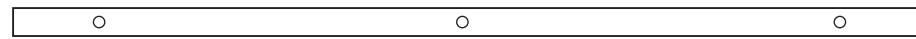
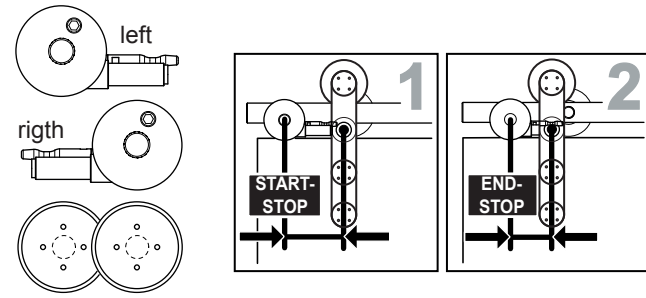


1 Set sliding door fittings Flatec I

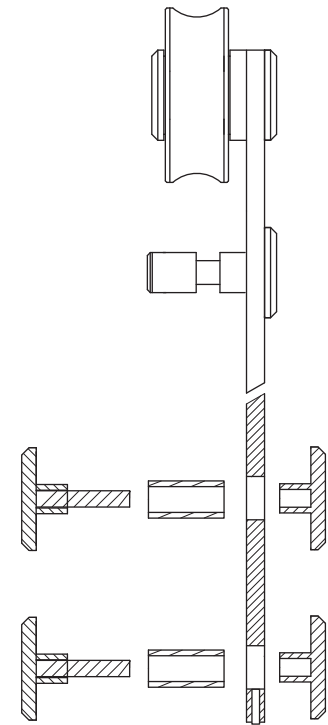
2 Guide rail



3 Door stoppers Soft-Tec

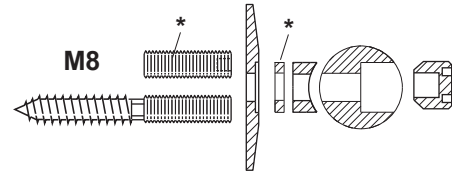


4 Trolley complete



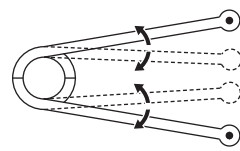
5 Wall fixtures

(without screws and dowels, at construction site)



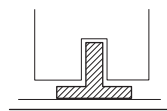
* not included in scope of delivery

6 Special tool



7 Bottom guide

(without screws and dowels, at construction site)



Attention



Screw on



Screw on



Screw on



Loosen/Tighten



Install



At right angle



Drill



Dowels



Adjust Set



Level



Perpendicular



Measure Mark



Visual inspection



Special-tool



2 people required



Measure



Clarify questions



See Instructions



Secure



Comply with all general safety regulations when installing the sliding door fittings!

Installation to be completed by qualified licensed contractor.

Be sure to tighten all screw connections one week after starting to use the sliding door fittings!

Never use scouring agents to clean the sliding door fittings; rather use commercially available stainless-steel cleaners!

Set Flatec I	Set / Each					
1 Art.-No.	2	3	4	5	6	7
110.00125	1	2	2	3	1	1
110.00126	1	2	2	4	1	1
110.00127	1	2	2	4	1	1
110.00128	1	2	2	4	1	1

ABP beyerle

ABP-Beyerle GmbH

Im Schollengarten 24 b, D - 76646 Bruchsal (Germany)

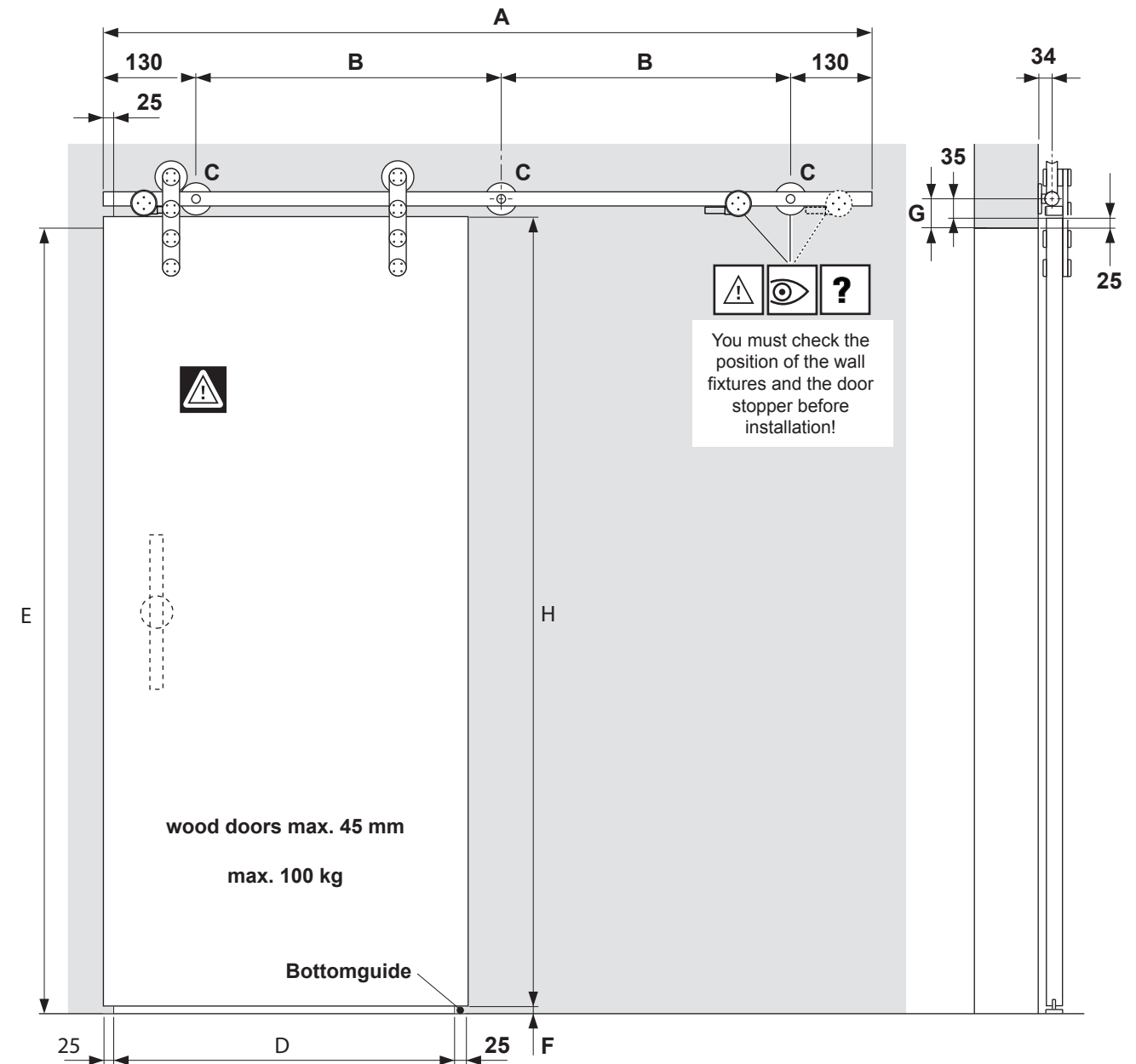
Tel. + 49 - (0) 7257 / 9127 - 0, Fax + 49 - (0) 7257 / 9127 - 29, Email info@abp-beyerle.de, www.abp-beyerle.de

65 30 00.0143_Flatec I_wood_DS-102015jb

Installation instructions

Sliding door fittings Flatec I

for wood doors (max. 45 mm) with Soft-Tec Stopper



Complete-Set's

Set Artikel-No.	A mm	B mm	C each	D mm	E max. mm	F mm	G mm	H max. mm (H=E-F+25)
110.00125	1800	770	3	750-900	2500	7-10	60	2518
110.00126	2100	613,3	4	910-1000	2500	7-10	60	2518
110.00127	2300	680	4	1010-1120	2500	7-10	60	2518
110.00128	2540	760	4	1130-1250	2500	7-10	60	2518

Right to make technical changes reserved - Dimensions in mm - Version 10.2015
© by ABP-Beyerle GmbH

ABP beyerle

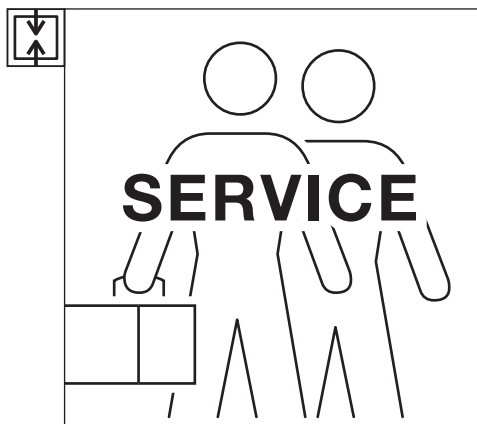


Abb. 1

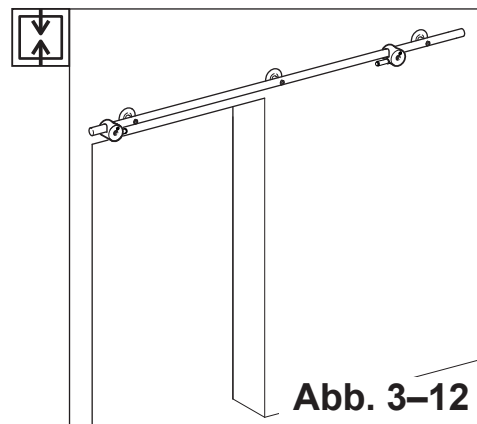


Abb. 2

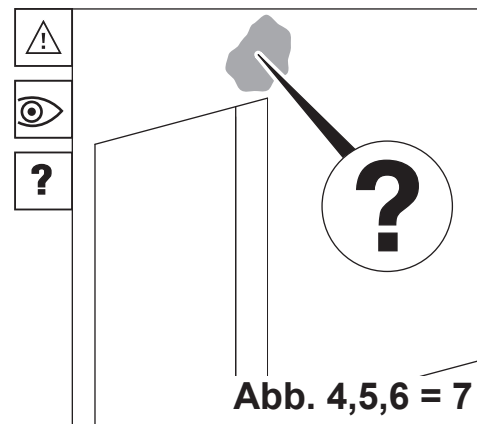


Abb. 3

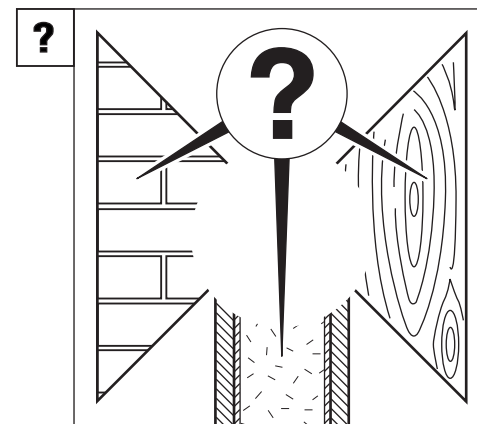


Abb. 4

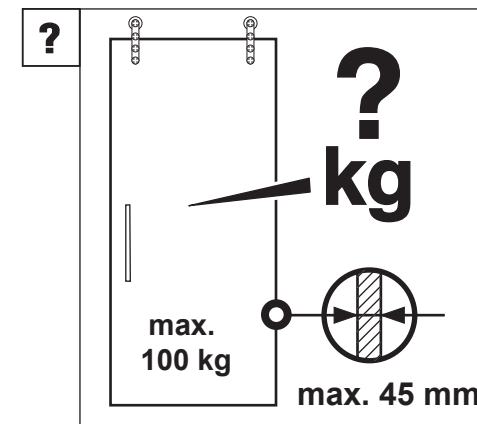


Abb. 5

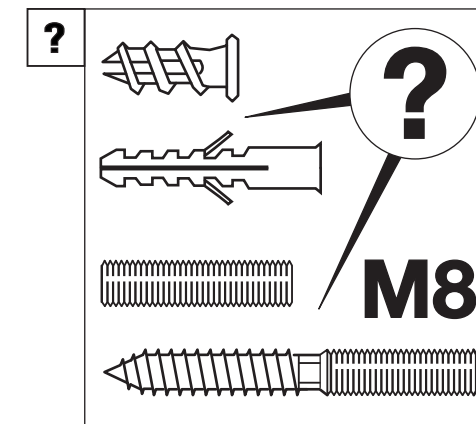


Abb. 6

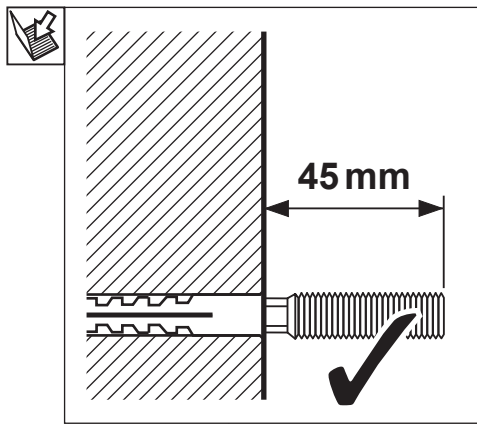


Abb. 7

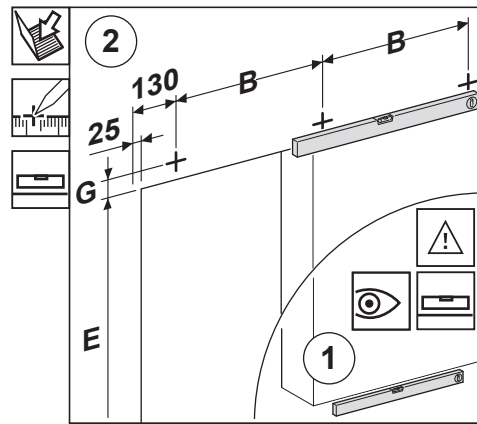


Abb. 8

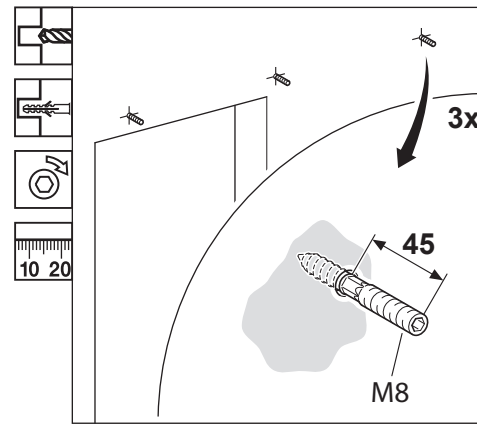


Abb. 9

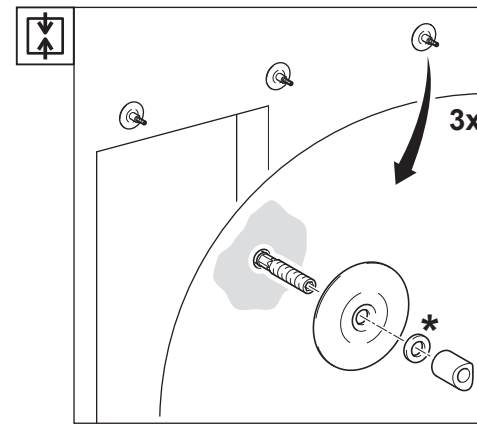


Abb. 10

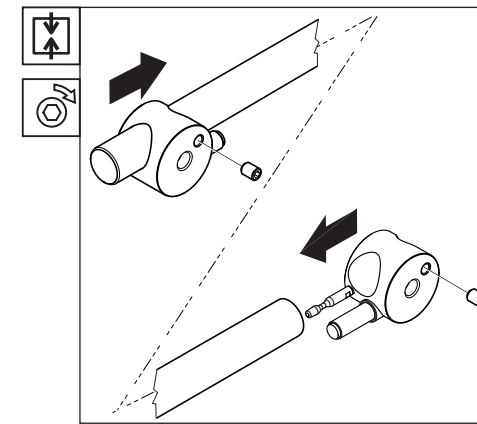


Abb. 11

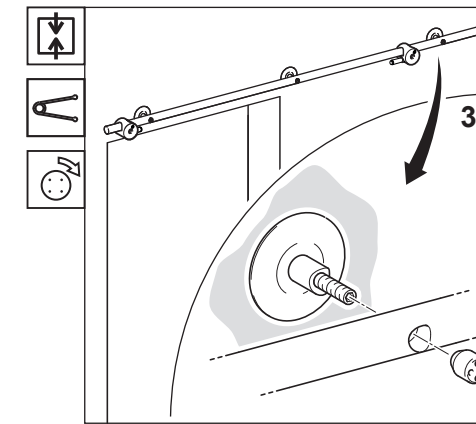


Abb. 12

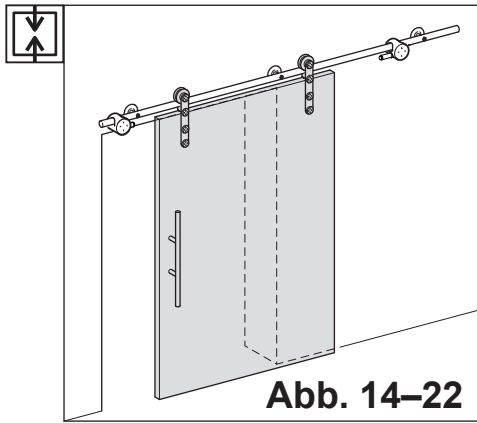


Abb. 13

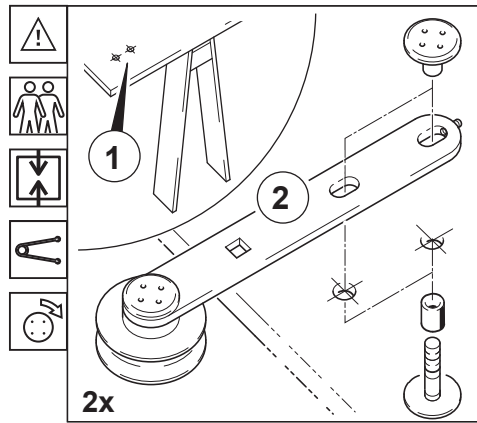


Abb. 14

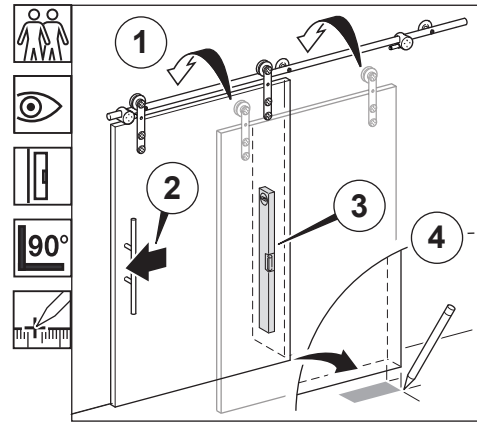


Abb. 15

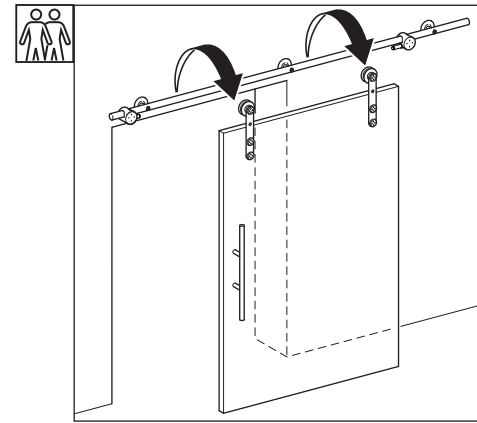


Abb. 16

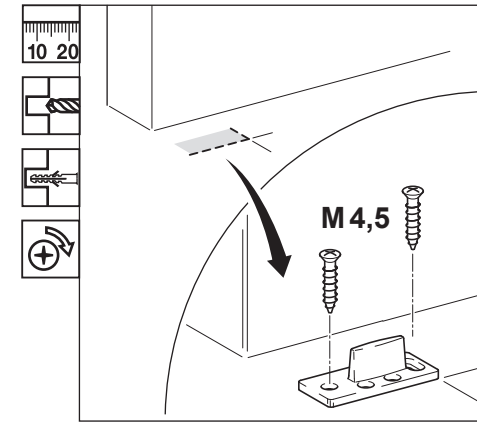


Abb. 17

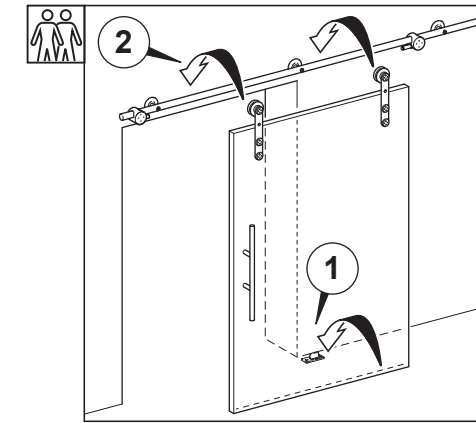


Abb. 18

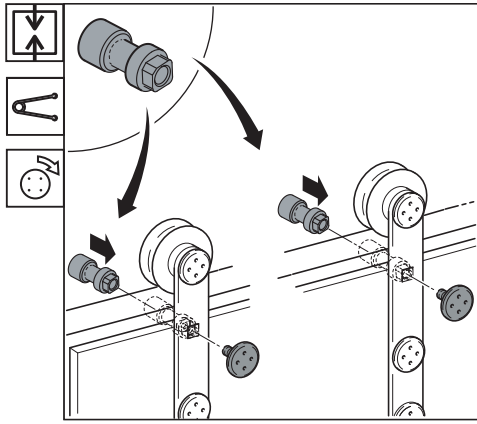


Abb. 19

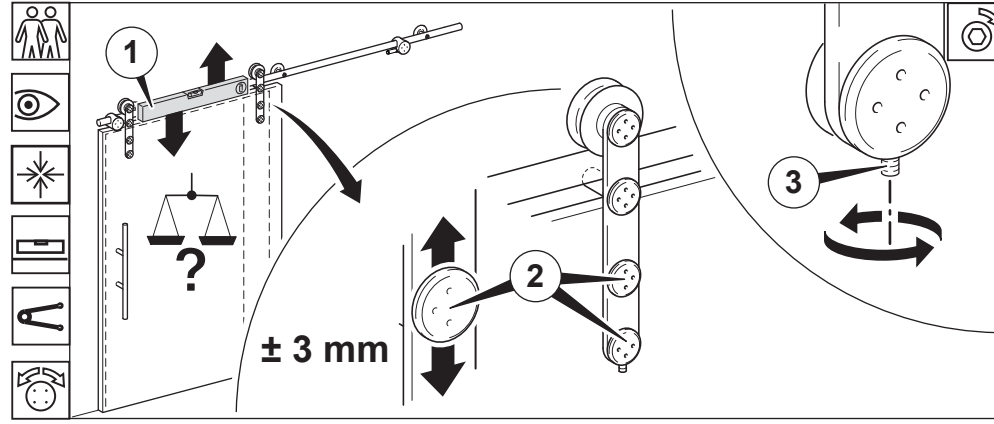


Abb. 20

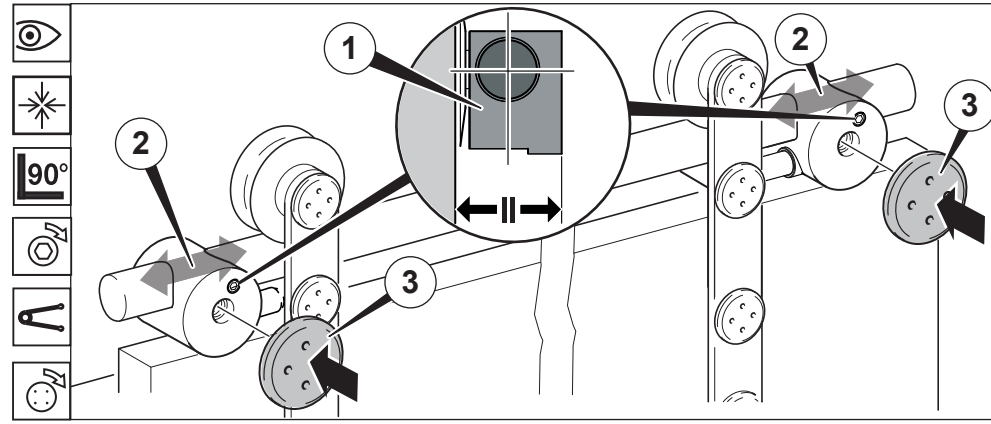


Abb. 21

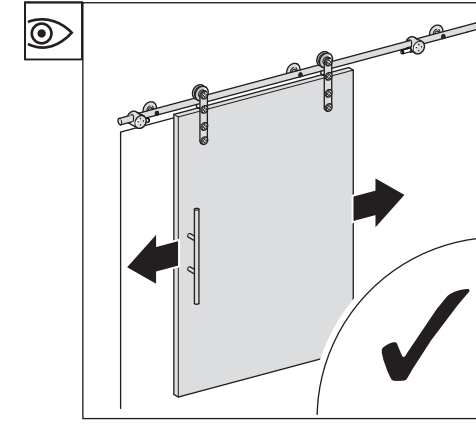


Abb. 22